

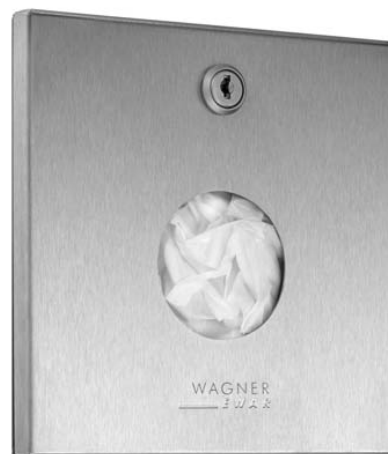
SANITARY BAG DISPENSER WP256



148 x 148 x 50 mm

1 sanitary bag box

- Sanitary bag dispenser in robust, germ-reducing and easy-care stainless steel (AISI 304).
- All-stainless steel housing; all corners fully welded, visible surfaces satin finished and brushed. Further available surfaces: see below.
- Designed for one standard sanitary bag box with dimensions of approx. 118 x 87 x 20 mm.
- Accessible for refilling through lockable front flap.
- Keyed alike cylinder lock in corrosion-resistant zinc die-casting.
- Wear parts can be replaced as modules.
- Installation dimensions: 150 x 150 x 40 mm.
- Mounting: With four screws in wall opening through fixing holes in the side walls.
- Delivery includes fixing material and first fill.
- Weight, including single package: 0.8 kg

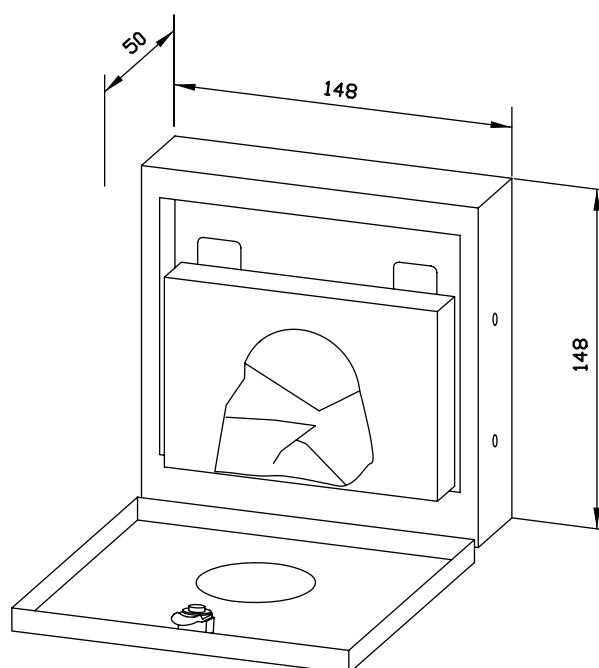


Suggested text for specifications:

Sanitary bag dispenser in stainless steel (AISI 304) for flush mounting. All-stainless steel housing; all corners fully welded, visible surfaces satin finished and brushed. Designed for one standard sanitary bag box. Accessible for refilling through lockable front flap. Keyed alike cylinder lock in corrosion-resistant zinc die-casting. Delivery includes fixing material and first fill.

Dimensions: 148 x 148 x 50 mm

Article No. WP256



| Available surfaces | ID No. |
|-----------------------------------|---------|
| satin finished (standard) | 727 510 |
| highly polished | 731 510 |
| (coloured) plastic powder-coating | 728 510 |

Ernst Wagner GmbH & Co. KG

Ernst-Abbe-Straße 21 · D-72770 Reutlingen · Tel.: +49712151539-0 · Fax: -20
 info@wagner-ewar.de · www.wagner-ewar.de

WAGNER
EWAR